

The FG Wilson sound attenuated enclosures for the range of Perkins powered P550P1 to P750E1 generating sets are a result of continuing research and development by our specialist acoustic engineers.

These enclosures are fully weatherproof and incorporate internally mounted exhaust silencers. They are of extremely rugged construction in order to withstand rough handling conditions and are designed on modular principles with many interchangeable components permitting on-site repair.



## 550 - 750 kVA Generating Set Range

### Robust/Highly Corrosion Resistant Construction

- ▶ Black finish stainless steel locks and hinges
- ▶ Zinc plated or stainless steel fasteners
- ▶ Body made from steel components treated with polyester powder coating

### Excellent Access for Maintenance

- ▶ Two large doors on each side
- ▶ Radiator fill access cover
- ▶ Lube oil and cooling water drains piped to exterior of the enclosure

### Security and Safety

- ▶ Control panel viewing window in a lockable access door
- ▶ Recessed emergency stop push button (red) mounted on enclosure exterior
- ▶ Cooling fan and battery charging alternator fully guarded
- ▶ Fuel fill and battery can only be reached via lockable access doors
- ▶ Exhaust silencing system totally enclosed for operator safety

### Transportability

- ▶ Lifting points on baseframe

### Optional Features

- ▶ Oil field type skid with dragging points

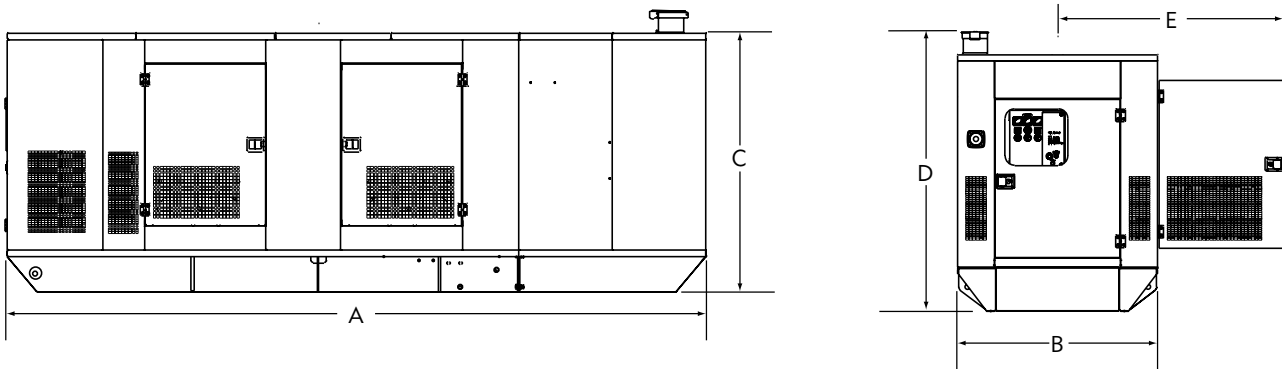


## Modular Acoustic Enclosure



## Sound Pressure Levels (dBA)

Generating Set Model	LWA	50 Hz						60 Hz					
		15m (50ft)		7m (23ft)		1m (3ft)		15m (50ft)		7m (23ft)		1m (3ft)	
		75% Load	100% Load	75% Load	100% Load	75% Load	100% Load	75% Load	100% Load	75% Load	100% Load	75% Load	100% Load
P550P1	103	68.0	69.5	74.0	75.5	84.0	85.3	-	-	-	-	-	-
P605E1	103	68.4	70.1	74.4	76.1	84.4	85.8	-	-	-	-	-	-
P635E1	103	68.7	70.4	74.7	76.4	84.6	86.1	-	-	-	-	-	-
P660E1	103	68.9	70.6	74.9	76.6	84.8	86.3	-	-	-	-	-	-
P600P1	103	68.4	70.0	74.4	76.0	84.4	85.8	-	-	-	-	-	-
P700E1	103	69.2	71.1	75.2	77.1	85.1	86.7	-	-	-	-	-	-
P635P1	103	68.7	70.4	74.7	76.4	84.6	86.1	-	-	-	-	-	-
P675P1	-	-	-	-	-	-	-	70.7	72.4	76.7	78.4	86.6	88.1
P750E1	-	-	-	-	-	-	-	71.2	73.1	77.2	79.1	87.1	88.7



## Dimensions and Weights

Generating Set Model	A: mm (in)	B: mm (in)	C: m mm (in)	D: mm (in)	E: mm (in)*	Weight: kg (lb)	Fuel Tank Capacity litres (US gal)
P550P1	5880 (231)	1930 (76.0)	2200 (87.4)	2400 (94.5)	1973 (77.7)	6266 (13814)	1350 (357)
P605E1	5880 (231)	1930 (76.0)	2200 (87.4)	2400 (94.5)	1973 (77.7)	6266 (13814)	1350 (357)
P635E1	5880 (231)	1930 (76.0)	2200 (87.4)	2400 (94.5)	1973 (77.7)	6330 (13955)	1350 (357)
P600P1	5880 (231)	1930 (76.0)	2200 (87.4)	2400 (94.5)	1973 (77.7)	6330 (13955)	1350 (357)
P660E1	5880 (231)	1930 (76.0)	2200 (87.4)	2400 (94.5)	1973 (77.7)	6330 (13955)	1350 (357)
P635P1	5880 (231)	1930 (76.0)	2200 (87.4)	2400 (94.5)	1973 (77.7)	6430 (14176)	1350 (357)
P700E1	5880 (231)	1930 (76.0)	2200 (87.4)	2400 (94.5)	1973 (77.7)	6430 (14176)	1350 (357)
P675P1	5880 (231)	1930 (76.0)	2200 (87.4)	2400 (94.5)	1973 (77.7)	6535 (14176)	1350 (357)
P750E1	5880 (231)	1930 (76.0)	2200 (87.4)	2400 (94.5)	1973 (77.7)	6535 (14176)	1350 (357)

Weight with lube oil, no coolant, no fuel.

\* Clearance required on both sides



**FG Wilson has manufacturing facilities in the following locations:**

**Northern Ireland • Brazil • China • India • USA**

With headquarters in Northern Ireland, FG Wilson operates through a Global Dealer Network. To contact your local Sales Office please visit the FG Wilson website at [www.FGWilson.com](http://www.FGWilson.com)

